

0149.K380 - CAM ROLLER K380

FORZA INIZIALE DI ESTRAZIONE / INITIAL EXTRACTION FORCE **320 daN**

RÜCKZUGSKRAFT / FORCE INITIALE D'EXTRACTION

FORZA FINALE DI ESTRAZIONE / FINAL FORCE OF EXTRACTION **643 daN**

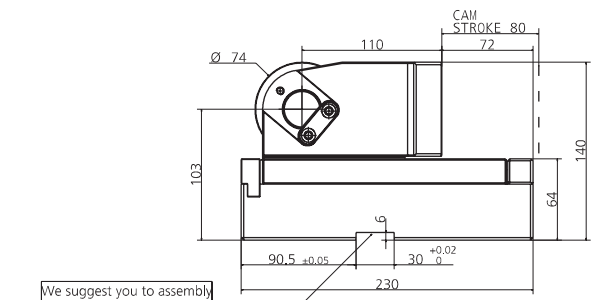
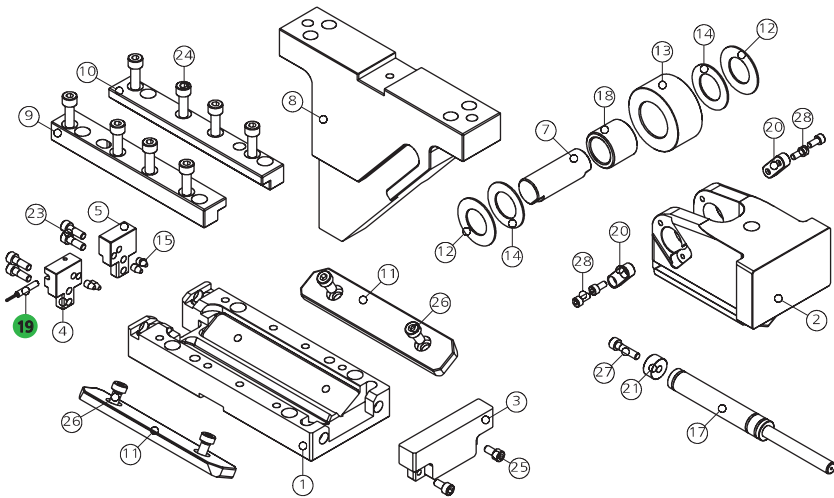
ENDKRAFT DER EXTRAKTION / FORCE FINALE D'EXTRACTION

SFORZO MAX TRANCIO **14200 daN**

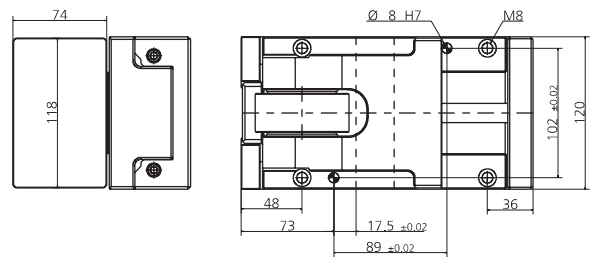
CUTTING MAX FORCE

MAXIMALE SCHNITTKRAFT

EFFORT MAXI DÉCOUPE

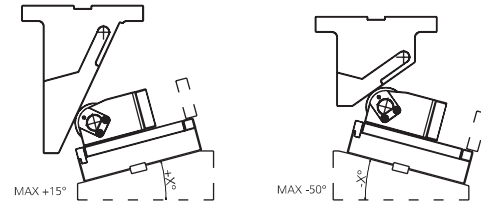


We suggest you to assembly by using a thrust mount key

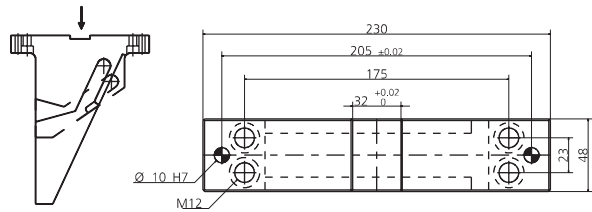


| POS. | CODE | DESCRIPTION | Q.TY |
|------|------------------------|--|----------|
| 001 | 8000.0049.0380 | CORPO CAMMA / CAM BODY / GRUNDGEHÄUSE | 1 |
| 002 | 8007.0049.0300 | SLITTA / SLIDER / LAGERKEIL | 1 |
| 003 | 8088.0049.0300.001 | PIASTRINA / PLATE / PLATTE | 1 |
| 004 | 8088.0049.0300.002 | PIASTRINA / PLATE / PLATTE | 1 |
| 005 | 8088.0049.0300.003 | PIASTRINA / PLATE / PLATTE | 1 |
| 007 | 8005.0860.0677.300.001 | PERNO / PIN / STIFT | 1 |
| 008 | 8090.0203.A080.000 | CUNEO / WEDGE / DRUCKSTÜCK 0 | 1*OPTION |
| 008 | 8090.0203.A080.605 | CUNEO / WEDGE / DRUCKSTÜCK +5 | 1*OPTION |
| 008 | 8090.0203.A080.610 | CUNEO / WEDGE / DRUCKSTÜCK +10 | 1*OPTION |
| 008 | 8090.0203.A080.615 | CUNEO / WEDGE / DRUCKSTÜCK +15 | 1*OPTION |
| 008 | 8090.0203.A080.705 | CUNEO / WEDGE / DRUCKSTÜCK -5 | 1*OPTION |
| 008 | 8090.0203.A080.710 | CUNEO / WEDGE / DRUCKSTÜCK -10 | 1*OPTION |
| 008 | 8090.0203.A080.715 | CUNEO / WEDGE / DRUCKSTÜCK -15 | 1*OPTION |
| 008 | 8090.0203.A080.720 | CUNEO / WEDGE / DRUCKSTÜCK -20 | 1*OPTION |
| 008 | 8090.0203.A080.725 | CUNEO / WEDGE / DRUCKSTÜCK -25 | 1*OPTION |
| 008 | 8090.0203.A080.730 | CUNEO / WEDGE / DRUCKSTÜCK -30 | 1*OPTION |
| 008 | 8090.0203.A080.735 | CUNEO / WEDGE / DRUCKSTÜCK -35 | 1*OPTION |
| 008 | 8090.0203.A080.740 | CUNEO / WEDGE / DRUCKSTÜCK -40 | 1*OPTION |
| 008 | 8090.0203.A080.745 | CUNEO / WEDGE / DRUCKSTÜCK -45 | 1*OPTION |
| 008 | 8090.0203.A080.750 | CUNEO / WEDGE / DRUCKSTÜCK -50 | 1*OPTION |
| 009 | 8086.1920.0280.200.001 | GUIDA ANGOLARE / SIDE PLATE L / WINKELFÜHRUNG FÜHRUNGSSCHIENE | 1 |
| 010 | 8086.1920.0280.200.002 | GUIDA ANGOLARE / SIDE PLATE L / WINKELFÜHRUNG FÜHRUNGSSCHIENE | 1 |
| 011 | 8012.1800.0450.100.001 | PIASTRA DI SCORRIMENTO / WEAR PLATE / DRUCKPLATTE | 2 |
| 012 | 8006.0215.0560.305.001 | RONDELLA / WASHER / UNTERLEGSCHEIBE | 2 |
| 013 | 8004.0740.0305.380.001 | ROTELLA / ROLLER / ROLLE | 1 |
| 014 | 9033.3254.015 | RALLA / THRUST WASHER / DRUCKSCHEIBE | 2 |
| 015 | 9020.06.10.E090 | PUNTALINO / BUMP STOP / DRUCKSTÜCK | 4 |
| 017 | 9000.0080.0025.001 | CILINDRO AD AZOTO / NITROGEN CYLINDER / STICKSTOFFZYLINDER | 1 |
| 018 | 9035.3038.300.001 | BOCCOLA / BUSH / BÜCHSE | 1 |
| 019 | 9003.0002 | SENSORE DI SICUREZZA / SECURITY SENSOR / SENSOR FÜR SICHERHEIT | 1*OPTION |
| 020 | 8087.0400.0140.090.001 | CHIAVETTA / KEY / SCHLÜSSEL | 2 |
| 021 | 8089.0258.0100.001 | DISTANZIALE / SPACER / ABSTANDSHALTER | 1 |
| 023 | 9007.06.016.129.1.4762 | VITE / SCREW / SCHRAUBE M6X16 | 4 |
| 024 | 9007.08.025.129.1.4762 | VITE / SCREW / SCHRAUBE M8X25 | 8 |
| 025 | 9007.06.020.129.1.4762 | VITE / SCREW / SCHRAUBE M6X20 | 4 |
| 026 | 9007.06.012.129.1.4762 | VITE / SCREW / SCHRAUBE M6X12 | 2 |
| 027 | 9007.08.016.129.1.9327 | VITE / SCREW / SCHRAUBE M8X16 | 4 |
| 028 | 9007.06.030.129.1.4762 | VITE / SCREW / SCHRAUBE M6X30 | 1 |

POSSIBILI INCLINAZIONI / POSSIBLE INCLINATIONS / MÖGLICHE NEIGUNGEN



008 (8090) CUNEO / WEDGE / DRUCKSTÜCK



019 (9003) SENSORE / SENSOR / SENSOR



19 PATENT PENDING

MODELLO D'ORDINE / ORDER EXAMPLE / BESTELLBEISPIEL / MODÈLE DE COMMANDE

MODEL **0149.K380** INCLINATION **+10°** OPTION CODE **9003.0002**